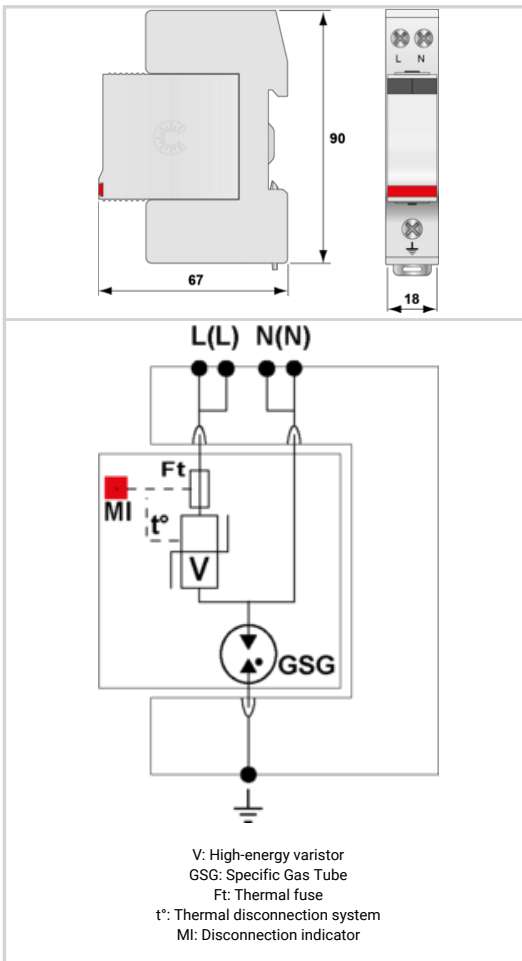


DS240-230/G



- ↳ Compact single-phase Type 2 surge protector
- ↳ I_n : 20 kA
- ↳ I_{max} : 40 kA
- ↳ Common/Differential mode
- ↳ Pluggable module
- ↳ Remote signaling option
- ↳ EN 61643-11, IEC 61643-11 compliance
- ↳ UL1449 ed.5



Electrical Characteristics		
SPD type		2
Network		230 V single-phase
AC system		TT-TN
Nominal line voltage	U_n	230 Vac
Max. AC operating voltage	U_c	255 Vac
Max. load current if series connection	I_L	20 A
Temporary Over Voltage (TOV) Characteristics - 5 sec. Without disconnection	UT	580 Vac withstand
Temporary Over Voltage (TOV) Characteristics - 120 mn Without disconnection or with safety disconnection	UT	440 Vac disconnection
Temporary Over Voltage N/PE (TOV HT) Without disconnection or with safety disconnection	UT	1200 V/300A/200 ms withstand
Residual Current Leakage current to Ground	I_{pe}	None
Follow current	I_f	None
Nominal discharge current 15 x 8/20 μ s impulses	I_n	20 kA
Max. discharge current max. withstand @ 8/20 μ s by pole	I_{max}	40 kA
Total Maximum discharge current max. total withstand @ 8/20 μ s	I_{max} Total	40 kA
Connection mode(s)		L/N and N/PE
Protection mode(s)		Common/Differential mode
Residual voltage at 5 kA @ 5 kA (8/20 μ s)	U_p -5kA	1.5/0.9 kV
Protection level L/N @ I_n (8/20 μ s)	U_p L/N	1.25 kV
Protection level N/PE @ I_n (8/20 μ s)	U_p N/PE	1.5 kV
Admissible short-circuit current	I_{sc}	10 000 A
Mechanical Characteristics		
Technology		MOV
SPD configuration		Single phase
Connection to Network		By screw terminals: 1.5-10mm ² (L/N) or 2.5-25mm ² (PE)
Format		Plug-in modular box
Mounting		Symmetrical rail 35 mm (EN 60715)
Housing material		Thermoplastic UL94 V-0
Operating temperature	T_u	-40/+85°C
Protection rating		IP20
Failsafe mode		Disconnection from AC network
Disconnection indicator		1 mechanical indicator
Spare module(s)		DSM240-230/G
Remote signaling of disconnection		Option DS240S-230/G : output on changeover contact
Dimensions		See diagram
Weight		0.108 kg
Disconnectors		
Thermal disconnector		Internal
Installation ground fault breaker		Type 'S' or delayed
Fuses		50 A min. - 125 A max. - Fuses Type gG
Standards		
Standards compliance		IEC 61643-11 / EN 61643-11 / UL1449 ed.5
Certification		UL / CSA / EAC / TÜV SÜD
Part number		
311721		